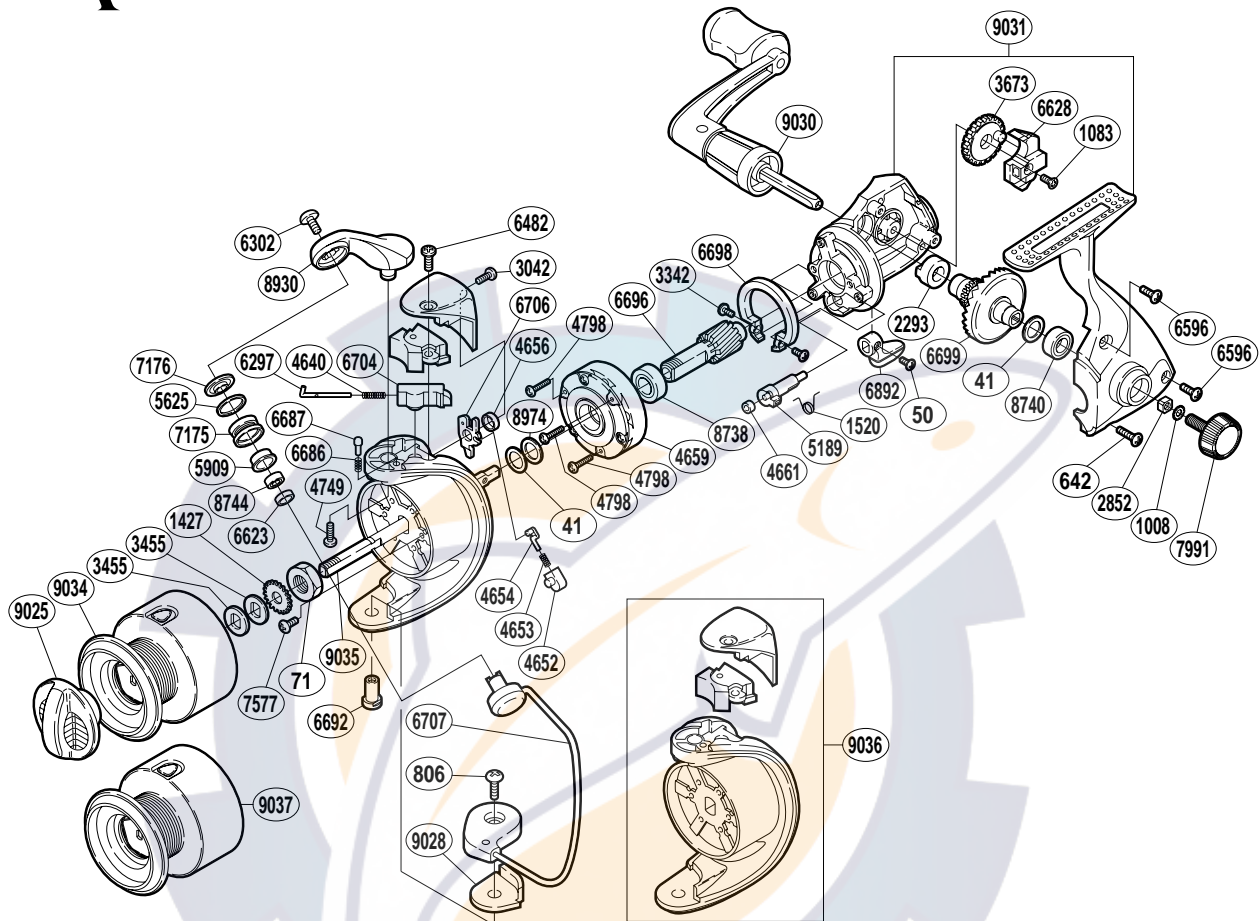


SHIMANO®

SAHARA

SH-2500FB



Part No.	Description	Part No.	Description	Part No.	Description
RD 0041	Adjusting Washer	RD 4659	Roller Clutch Assembly	RD 6706	Bail Trip Lever
RD 0050	Anti-Reverse Lever Screw	RD 4661	Anti-Reverse Cam Ring	RD 6707	Bail Assembly
RD 0071	Rotor Nut	RD 4749	Bail Arm Screw	RD 6892	Anti-Reverse Lever
RD 0642	Side Cover Screw (long)	RD 4798	Roller Clutch Screw	RD 7175	Line Roller
RD 0806	Bail Hold Support Screw	RD 5189	Anti-Reverse Cam	RD 7176	Line Roller Washer
RD 1008	Handle Lock Washer	RD 5625	Line Roller Spacer	RD 7577	Nut Lock Screw
RD 1083	Slider Retainer Screw	RD 5909	Line Roller Bushing	RD 7991	Handle Screw Cap
RD 1427	Spool Support	RD 6297	Bail Spring Guide (A)	RD 8738	Ball Bearing
RD 1520	Anti-Reverse Cam Spring	RD 6302	Line Roller Screw	RD 8740	Ball Bearing
RD 2293	Drive Gear Bushing	RD 6482	Rotor Protector Screw (large)	RD 8744	Ball Bearing
RD 2852	Handle Screw Lock	RD 6596	Side Cover Screw (short)	RD 8930	Bail Arm
RD 3342	Friction Ring Screw	RD 6623	Bearing Spacer	RD 8974	Adjusting Washer
RD 3402	Rotor Protector Screw (small)	RD 6628	Oscillating Slider	RD 9025	Drag Knob
RD 3455	Spool Washer	RD 6686	Click Spring	RD 9028	Bail Hold Support Spacer
RD 3673	Oscillating Gear	RD 6687	Bail Arm Click	RD 9030	Handle Assembly
RD 4640	Bail Spring	RD 6692	Bail Hold Support Shaft	RD 9031	Body Assembly
RD 4652	Lever Spring Guide (B)	RD 6696	Pinion Gear	RD 9034	Spool Assembly (gold+silver)
RD 4653	Lever Spring	RD 6698	Friction Ring	RD 9035	Main Shaft
RD 4654	Lever Spring Guide (A)	RD 6699	Drive Gear	RD 9036	Rotor Assembly
RD 4656	Trip Lever Spacer	RD 6704	Bail Spring Guide (B)	RD 9037	Spool Assembly (silver)